

PROTECTING CRITICAL DATA AND PROVIDING COMFORTABLE WORKING ENVIRONMENTS

WELLCHOICE^{INC.}

Brooklyn, NY

WellChoice, Inc. is the parent holding company of the largest health insurer in New York. WellChoice serves millions of customers in New York through Empire Blue Cross and Blue Shield products and services, and has operated in the state for over 70 years. Following the destruction of the company's offices at the World Trade Center, WellChoice moved into new, permanent space at the MetroTech center in Brooklyn.



To enable first-class customer service, WellChoice employs state-of-the-art technology and advanced systems and communications tools throughout their five floors of new office space.

Due to the critical nature of their customer data, WellChoice requires a system that would ensure that the temperature and humidity levels in their data center and customer service representative office spaces are maintained to exacting standards. IBC installed a system that provides extensive monitoring capabilities, critical alarming, and of course, maximized tenant comfort.

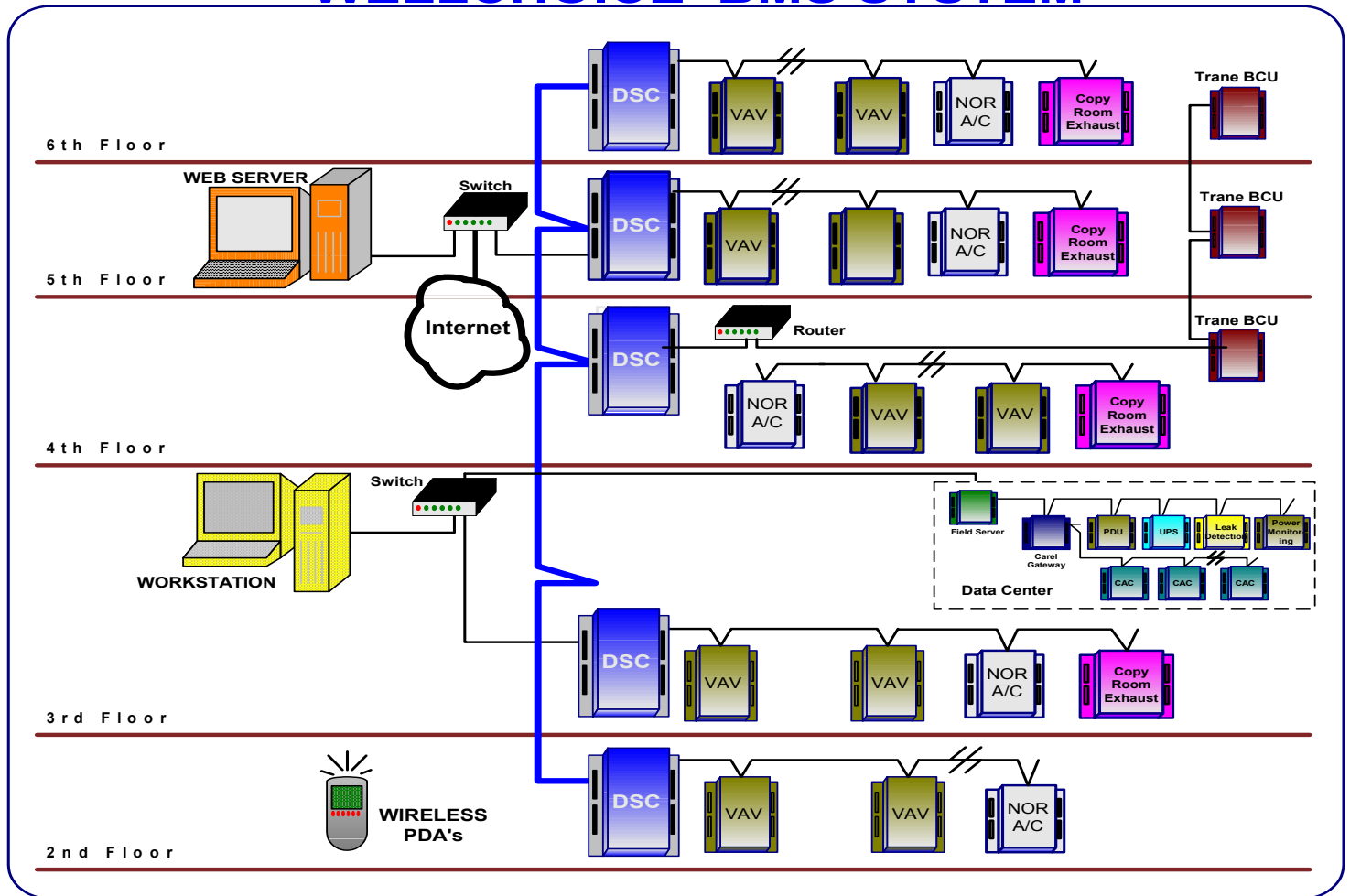
Integrated Building Controls furnished and installed a thin-client web server and a network of native BACnet Direct Digital Controllers to meet these demands. The various temperature controls, leak detection systems, critical alarming, and monitoring controls provide precision and stability for the immense data center as well as increased environmental comfort. The Modbus protocol is used to interface with the Power Distribution Equipment and Data Center AC's, and the industry-standard BACnet protocol is utilized for two-way communication with the building's existing "Trane" DDC controls. Thin-client workstations and wireless PDA's provide intranet access to the building management system.

12 Stults Rd., Ste. 102
Dayton, NJ 08810
609.860.6600 Phone
609.860.6601 Fax

134 W. 29th St., 11th Fl.
New York, NY 10001
212.629.8844 Phone
212.629.8761 Fax

www.planetibc.com

WELLCHOICE BMS SYSTEM



Features:

Size:	187,000 sq. ft.; 11,000 sq. ft. data center
Use:	Medical Insurance Provider
Systems:	Data Center Power Distribution Unit Auto Transfer Switch Monitoring Uninterrupted Power Supply Units "AC Tech" Computer Room AC Units Supplemental AC Units VAV boxes Exhaust Fans Exhaust Fan and Transfer Fan Controls Network Operating Room Units Under Floor Leak Detection Monitoring Humidity Monitoring
Control System:	Delta Controls
Interface:	Thin-client Intranet Access
Documentation:	Intranet access to product cuts and sequences from system graphics
As-builts:	Intranet access to control drawings from system graphics
Security:	Firewall, 128-bit encryption, and passwords
Alarm Notification:	E-mails and text paging
Protocol:	Industry Standard BACnet at all controllers
Integration:	Modbus to Power Equipment and Data Center AC's BACnet to base building DDC system